

Pergolas and Arches

Add height and create a focal point in your garden. Our Pergola and Arch range allows you to create an individual look in your garden whilst providing support for climbing plants such as Sweet Peas and Jasmine.



Traditional Pergola with Extension 1 2

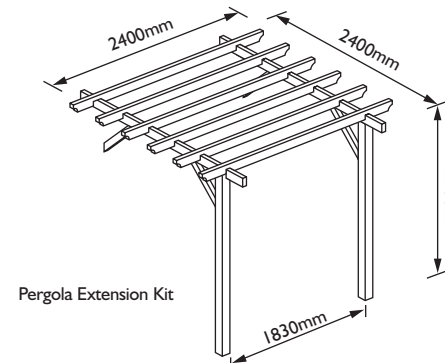
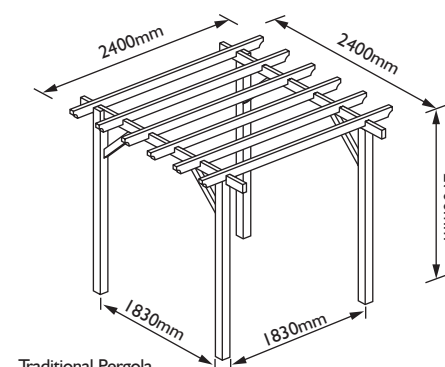
Pergolas

1. Traditional Pergola (4 uprights)	Code
2400(d) x 2400(w) x 2700(h)	PERGOLA

2. Extension for Pergola (2 uprights)	Code
2400(d) x 2400(w) x 2700(h)	PERGOLAE

3. Corner Pergola	Code
2100(d) x 3395(w) x 2445(h)	PERCORNER

Pressure treated
Natural timber finish



Corner Pergola 3





Wrenbury Metal Arch

Size (mm) d x w x h	Code
750 x 1400 x 2230	ARCHWR

Steel construction
 Metallic grey powder-coated finish
 Attractive lattice detailing



Wrenbury Seat

Size (mm) d x w x h	Code
750 x 1400 x 2230	ARCHWRS

Steel and FSC hardwood construction
 Metallic grey powder-coated finish
 Attractive lattice detailing



Rustic Arch

Size (mm) d x w x h	Code
450 x 1600 x 2740	ARCHRU

Attractive rustic design
 Lattice sides
 Pressure treated
 Natural timber finish



Rustic Seat



Size (mm) d x w x h	Code
470 x 1620 x 2290	PERRU

Attractive rustic design
 Lattice sides
 Pressure treated
 Natural timber finish



Arch

Size (mm) d x w x h	Code
900 x 1500 x 2245	PERSQUAR

Trellis sides
 Pressure treated
 Natural timber finish



Round Top Arch

Size (mm) d x w x h	Code
600 x 1200 x 2500	ARCHRHD

Heavy duty
 Trellis sides
 Pressure treated
 Natural timber finish

