

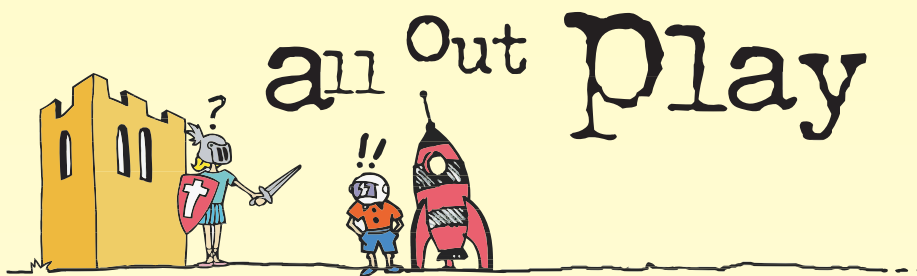
an Out Play



inspirational
playhouses



for boys and girls



Welcome to

garden play equipment that encourages both creative and physical play

No longer do you have to choose between the 'den' environment of a Wendy House or the functionality of an activity centre.

The AllOutPlay range of inspirational playhouses combines some of the best features of both types of equipment in new and exciting ways.

AllOutPlay playhouses are designed to stimulate creative and imaginative play - an unique combination of fantasy and fun that encourages outdoor physical activity.

Creative play is essential to a well-rounded upbringing. Children develop self-confidence, social skills and imagination.

As AllOutPlay playhouses encourage inventive play, they will be used more and will retain their appeal for longer than a simple Wendy House or climbing frame.

AllOutPlay playhouses have a great appeal to both boys and girls.



Just imagine

Children will instinctively recognise that the Castle can be a fairy palace, a Wild West fort, or a stage for medieval chivalry and pageantry. The Tower could house Rapunzel or something from Middle Earth. The Climbing Den could be a swamp hut or a tree house. They can sit quietly in a secret space high above the ground or have a crazy time climbing, crawling and swinging in a stimulating but safe environment.



energy • imagination • fantasy • fun

A real asset

AllOutPlay playhouses look great in any garden - solidly built and strikingly unusual. They are finished in an appealing natural green that becomes a warm honey brown with weathering before eventually fading to a silver grey after long term outdoor use. All Out Play playhouses blend well into any environment.

Each design includes an enclosed space that is great in all sorts of weather, but also allows your children to play securely in their own private fantasy world.



Superior quality

AllOutPlay playhouses are well designed and craftsman built by hand to a high quality specification. All our structures are easy to erect and dismantle. We use a premium grade Redwood Pine timber with a specially created 15mm or 20mm tongue and groove profile throughout. The quality planed timber is high-pressure treated against fungal decay infestation using non-toxic (CCA-free) liquids and

sourced from fully managed, renewable plantations. The hexagonal roofs are made from tough marine plywood and hardwood. All hanging bars are made from Douglas Fir.

- High pressure treated timber.
- All fixings are stainless steel or galvanised to prevent rust and corrosion.
- All bolts and screws are domed and/or countersunk for a safer playing environment.



Dear Parent

We started AllOutPlay inspirational playhouses three years ago because, as parents ourselves, we just could not find what we were looking for in the UK market. In that time we have gone from producing two playhouse designs to eight that can all be linked together or personalised with various accessories.

With the rise and rise of TV and computer games, we feel there is a strong case for new and different structures which will get kids outside, fire their imaginations and provide endless opportunities for creative fun and physical activity.

Our designs have all been tested by our own children and their friends, and often modified in the light of their comments!

We are confident your children will enjoy their AllOutPlay playhouses as much as ours do.



Jerry Turner
Jerry Turner managing director

• excitement • stimulation • adventure



Rocket



- External ladder through entrance onto first floor
- Internal wall mounted steps with access through open floor hatch to second floor
- Porthole windows giving light to both floors
- Internal Control Panel



Turret

- Hexagonal structure with flexibility to allow any arrangement of the side panels
- Internal wall mounted steps with access through open floor hatch to upper platform
- Wooden floor as base
- Arrow slit windows
- Upper arches can be created in side panels to fit accessories such as bridges and slides (see tower image for example)



Jungle Hut

- Appealing for those who want a den only
- Looks great in all gardens
- Wooden floor as base



Fort

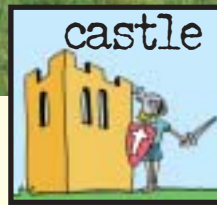


- A compact version of the Castle
- External & internal wall mounted steps onto upper platform
- Three arched doorways
- Internal hanging bars
- Flagpole - flags also available
- Arrow slit windows
- Slide or bridge can be added to upper platform



Gatehouse

- Two sets of external wall mounted steps onto upper platform
- One arched door
- Arrow slit windows
- Can be used by itself as a platform for a slide
- Ideal for use with a bridge to link to another playhouse
- Shown with slide accessory



Castle

- External & internal wall mounted steps onto upper platform
- Three arched doorways
- Internal hanging bars
- Arrow slit windows
- Flagpole - flags also available
- Slide or bridge can be added to upper platform



Climbing Den

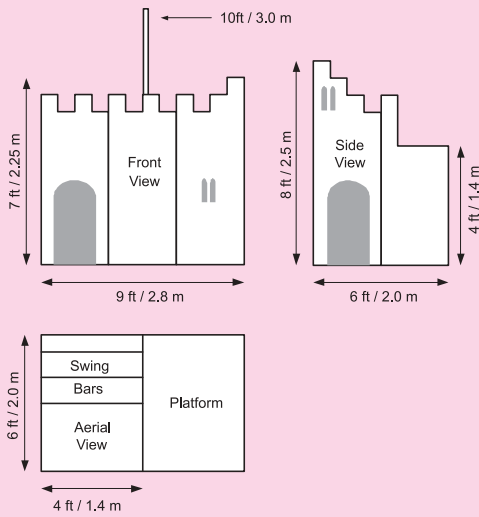
- Hexagonal structure with flexibility to allow any arrangement of the side panels
- Ladder included
- Additional upper arches can be created to fit accessories such as bridges and slides
- Base could be used as a sandpit underneath (membrane and cover not included)
- Shown with climbing bars and slide accessories



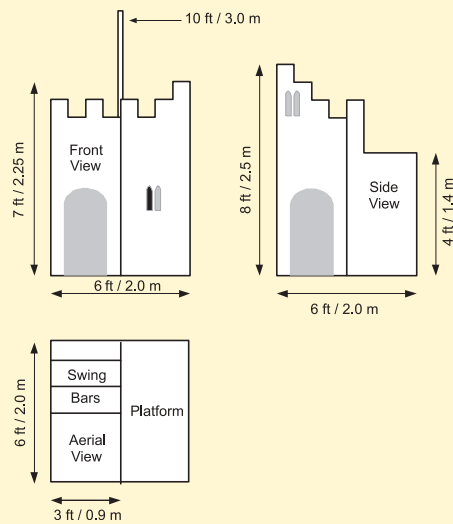
Tower

- Hexagonal structure with flexibility to allow any arrangement of the side panels
- Internal wall mounted steps with access through open floor hatch to upper platform
- Wooden floor as base
- Arrow slit windows
- Upper arches can be created to fit accessories such as bridges and slides
- Shown with ladder and slide accessories

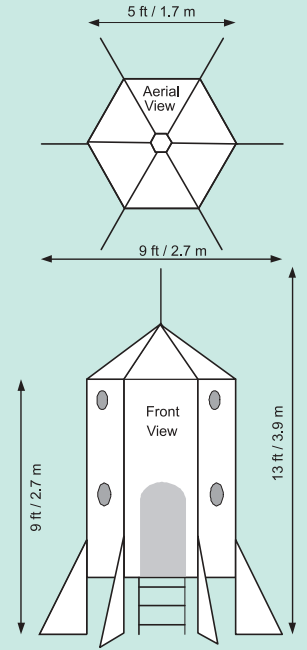
Castle



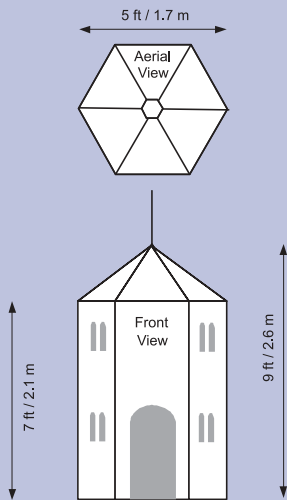
Fort



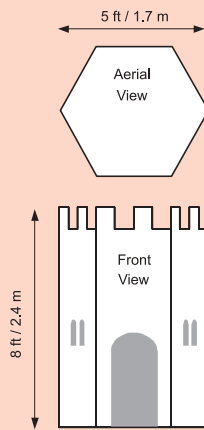
Rocket



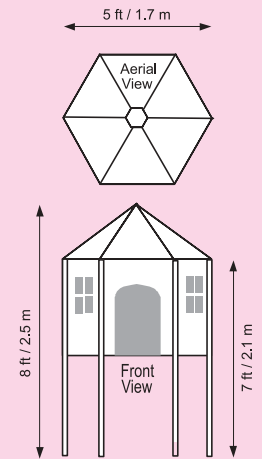
Tower



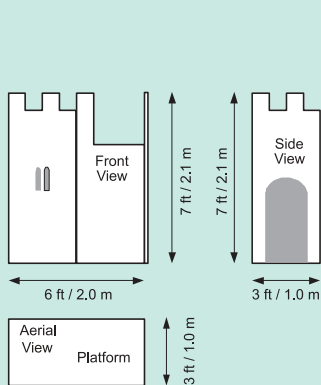
Turret



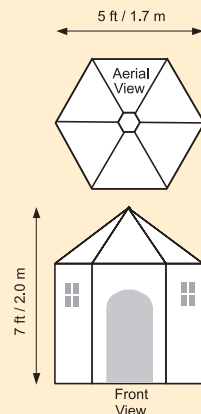
Climbing Den



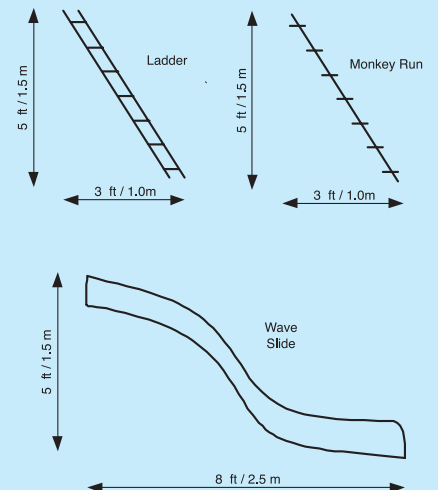
Gatehouse



Jungle Hut



Accessories





A bigger theatre

Many of the playhouses can be combined at any time with each other to offer an even more inspiring structure. Increase the opportunities for imaginary play with additional climbing, crawling and sliding possibilities.

The hexagonal structures are especially well suited to a modular approach. Each of the side panels are interchangeable so you can decide where the windows, door and upper arches are positioned and how the playhouses are connected.

AllOutPlay playhouses can be combined at the time of your first purchase or at a later date as your children grow.

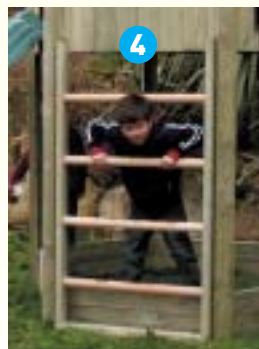
As a further service we can produce a straightforward plan of your combination to help you visualise the positioning of the playhouses. Please speak to your retailer or contact us to arrange.



All the extras

Various accessories can be added to most playhouses such as a slide, a ladder or even a bridge to another structure.

- 1 Bridge
- 2 Ladder
- 3 Wave slide
- 4 Climbing bars
- 5 Monkey run
- 6 Flags



• excitement • stimulation • adventure

